

# JIBBI

**iapa**  
International  
Awards for  
Powered  
Access  
2019  
Product of the year

PATENT PENDING

# 1250 EVO



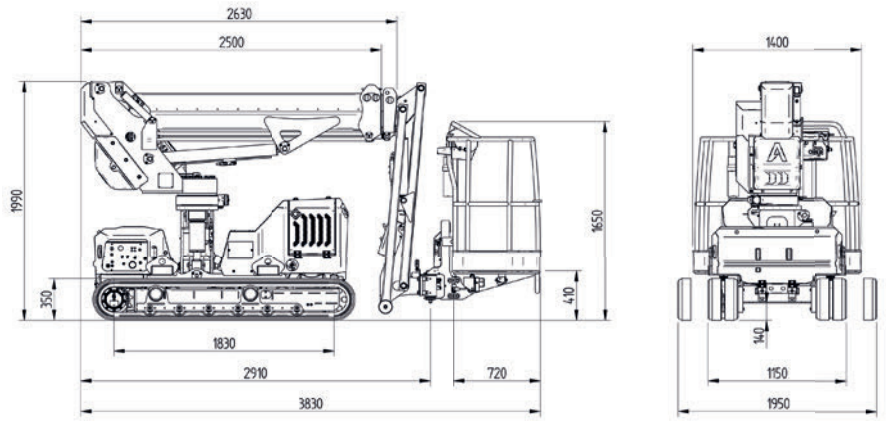
CRAWLER TELESCOPIC BOOM

**ALMACRAWLER**

# JIBBI 1250 EVO

Ang JIBBI ay ang bagong crawler telescopic boom ng AlmaCrawler.

**JIBBI is the new crawler telescopic boom by AlmaCrawler.**



**Patent nakabinbing mga makabagong ideya**

**Bagong Dynamic Work Performance (DWP ni Almac)**

**Undercarriage na isinama ng bagong Safe-lock System**

**Patent pending innovations**

**New Dynamic Work Performance (DWP by Almac)**

**Undercarriage integrated by new Safe-lock System**



**Cable remote console sa pamamagitan ng AUTECH**  
Cable remote console by AUTECH



## Mga Tampok Features

- Yanmar Diesel Engine, 3 Silindro (14,1kW - 19,2 HP)
- 220° Slewing singsing pag ikot
- Basket rotation kit +/- 70°
- Integrated Drive System (gamit ang solong joystick)
- Yanmar Diesel Engine, 3 Cylinders (14,1kW - 19,2 HP)
- 220° Slewing ring rotation
- Basket rotation kit +/- 70°
- Integrated Drive System (using single joystick)

## Ultrasonic Anti banggaan System

Ultrasonic Anti-collision System



**Hinalalong slope leveling**  
Mixed slope levelling

**Automatic & Dynamic Levelling**  
**Pro-Active Levelling**





## Teknikal na data

## JIBBI 1250 EVO

## Technical data

Max taas ng pagtatrabaho	12,2 m	Max working height
Max taas na sahiig ng basket	10,2 m	Max height basket floor
Makina maximum na taas ng paglalakbay	8,0 m	Moving height
Max outreach (mag-load ng 80 kg)	7,0 m	Max outreach (load 80 kg)
Max outreach (mag-load ng 230 kg)	5,4 m	Max outreach (load 230 kg)
Anggulo ng pag-ikot	+/-110°	Rotation angle
Laki ng basket	1,4 x 0,7 m	Basket size
Anggulo ng pag-ikot ng basket	+/- 70°	Basket rotation angle
Max kapasidad ng basket	230 kg	Max basket capacity
Haba sa stowed posisyon (na may detached basket)	3,8 (3,0) m	Length in stowed position (with detached basket)
Min lapad sa stowed posisyon	1,15 m	Min width in stowed position
Max na nagtatrabaho lapad	1,95 m	Max working width
Min taas sa stowed position	1,99 m	Min height in stowed position
Pag-level ng longitudinal	+/- 15°	Longitudinal leveling
Pag-level ng lateral	+/- 15°	Lateral leveling
Max kakayahang pang-grade	25°	Max gradeability
Max side kakayahang pang-grade	25°	Max side gradeability
Bilis ng drive (mabilis)	2,5 km/h	Drive speed (fast)
Bilis ng seguridad	0,3 km/h	Security speed

## Mga Timbang

## Weights

Pag-load ng trapiko	3,86 kN/m <sup>2</sup>	Traffic load
Kabuuang timbang	2850 kg	Total weight

## Lakas

## Power

3TNM68 -AS Yanmar engine (diesel)	14 kW - 19,2 Hp	3TNM68 -AS Yanmar engine (diesel)
-----------------------------------	-----------------	-----------------------------------

## Kagamitan kapag hiniling

## Extras - On Demand

Hindi nagmamarka ng mga track	-	Non-marking tracks
Eletric pump 220V-2,2KW / 50Hz (Timbang +30 Kg)	-	Eletric pump 220V-2,2KW / 50Hz (Weight +30 Kg)
Kontrol ng remote sa radyo	-	Radio remote control
Arctic pampadulas para sa malamig na klima	-	Arctic lubricant for cold climate
Winch kit 200 kg	-	Winch kit 200 kg



**Mga compact na sukat** Compact dimensions

**Tinatanggal na basket**

Removable basket

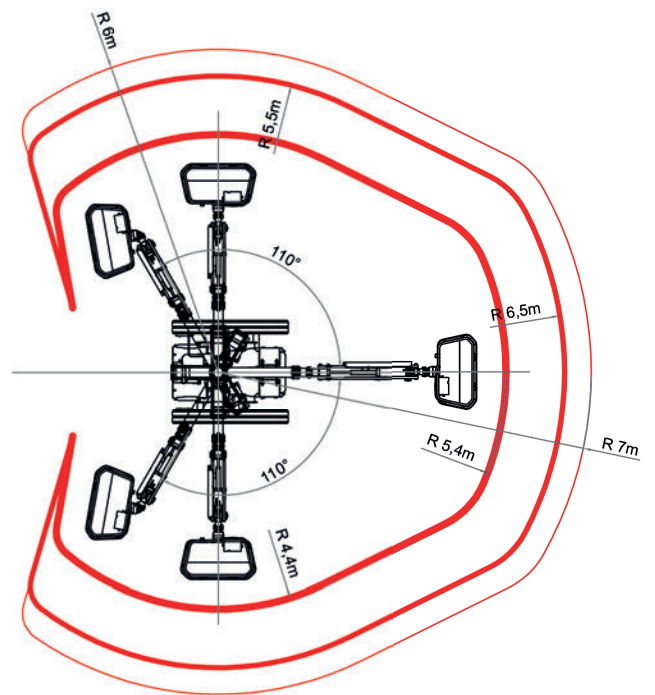
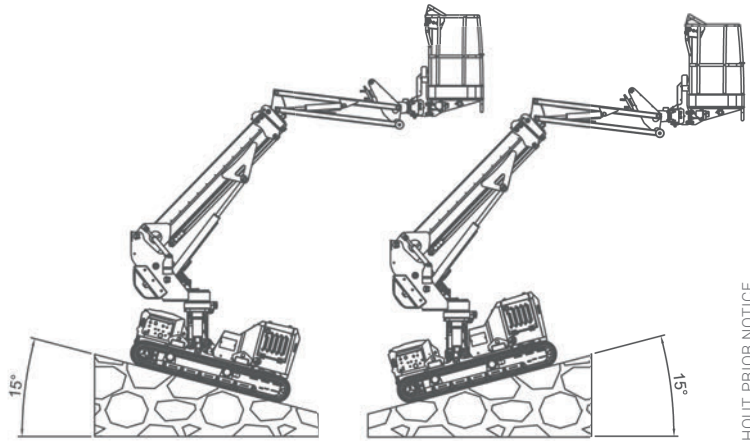
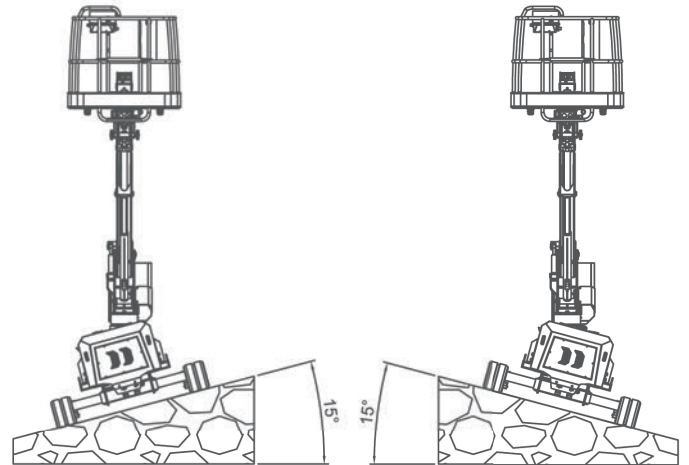
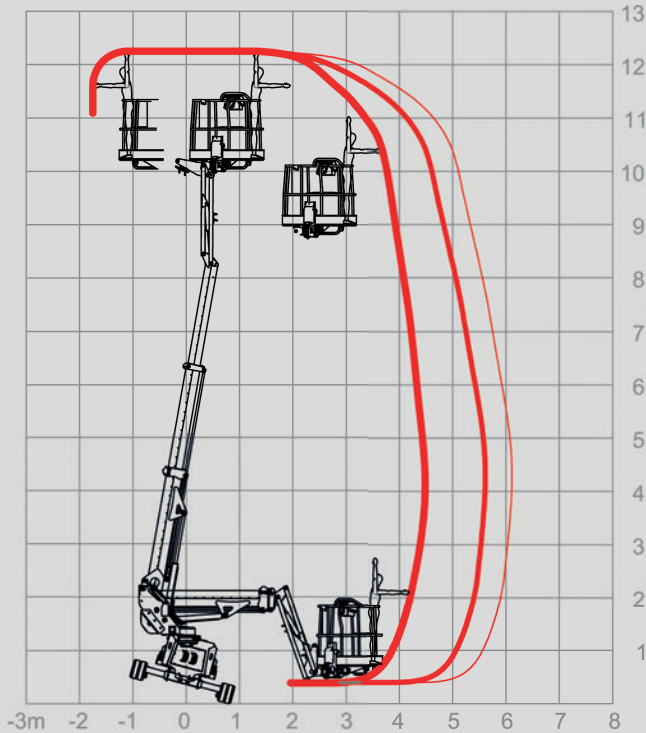
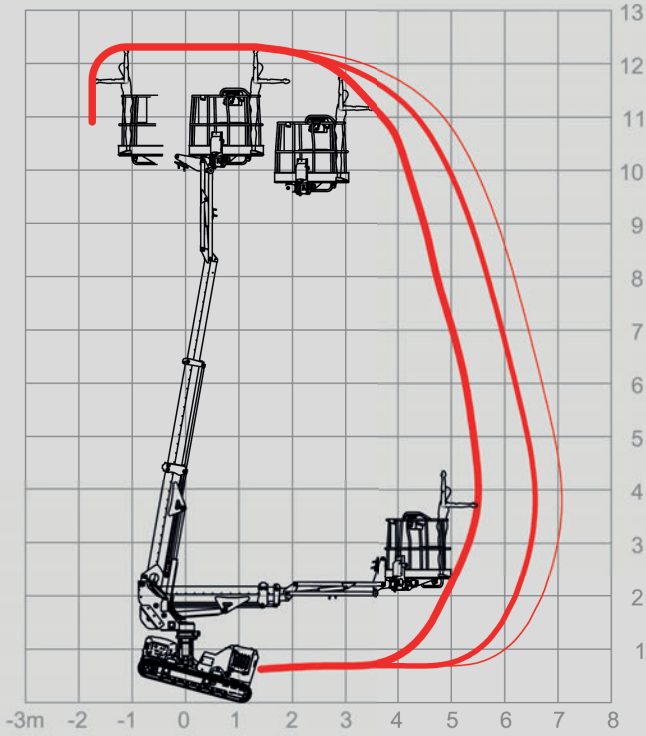


**ALMACRAWLER**

# JIBBI 1250 EVO

12.2m	230kg	19.2Hp	$\pm 15^\circ$	2.5km/h	$\pm 15^\circ$
MAX.W.H.	CAPACITY	POWER	LONG. LEVEL.	SPEED	LATER. LEVEL.

- 80 kg
- 140 kg
- 230 kg



Via Caduti sul Lavoro 1  
46019 Viadana (MN) - ITALY  
+39 0375 83 35 27  
info@almac-italia.com

MAYON MACHINERY RENTRADE, INC  
3rd Floor P & J Building, Lot 32, Blk. 69 M. Roxas  
Street, Corner Bayani Road AFPOVAL Phase 4, Fort  
Bonifacio, Taguig City, Philippines  
+ 63 (2) 8776 0254 | sales@mayonmachinery.com

**ALMACRAWLER**

ALL DATA REPORTED IN THIS CATALOGUE ARE NOT BINDING. ALMAC SRL RESERVES THE RIGHT TO CHANGE SPECIFICATIONS WITHOUT PRIOR NOTICE.