

JIBBI

iapa
International
Awards for
Powered
Access
2019
Product of the year

PATENT PENDING

1250 ELC



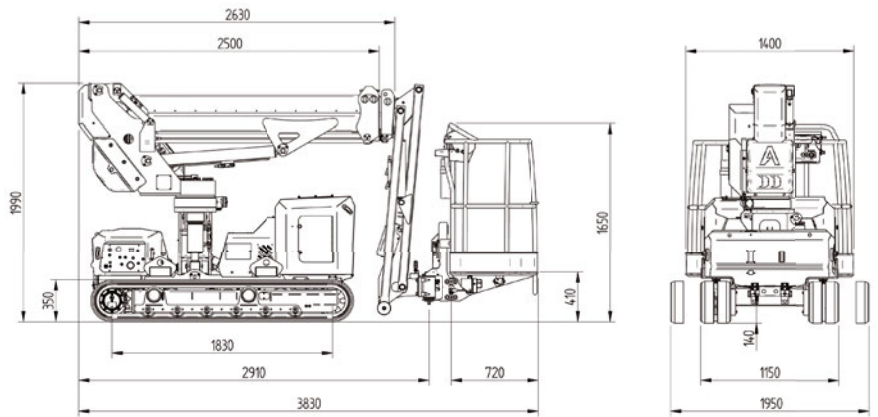
CRAWLER TELESCOPIC BOOM

ALMACRAWLER

JIBBI 1250 ELC

Ang JIBBI ay ang bagong crawler telescopic boom ng AlmaCrawler.

JIBBI is the new crawler telescopic boom by AlmaCrawler.



Patent nakabinbing mga makabagong ideya

Bagong Dynamic Work Performance (DWP ni Almac)
Undercarriage na isinama ng bagong Safe-lock System

Patent pending innovations
New Dynamic Work Performance (DWP by Almac)
Undercarriage integrated by new Safe-lock System



Cable remote console sa pamamagitan ng AUTECH

Cable remote console by AUTECH



Mga Tampok Features

- Humantong pack ng batarya ng acid 420Ah-48 V
- 220° Slewing singsing pag ikot
- Basket rotation kit +/- 70°
- Pinagsamang Drive System (gamit ang solong joystick)
- Lead acid battery pack 420Ah-48V
- 220° Slewing ring rotation
- Basket rotation kit +/- 70°
- Integrated Drive System (using single joystick)

Ultrasonic Anti banggaan System

Ultrasonic Anti-collision System

Automatic & Dynamic Levelling Pro-Active Levelling

Hinalalong slope leveling
Mixed slope levelling



Teknikal na data

JIBBI 1250 ELC

Technical data

Max taas ng pagtatrabaho	12,2 m	Max working height
Max taas na sahig ng basket	10,2 m	Max height basket floor
Makina maximum na taas ng paglalakbay	8,0 m	Moving height
Max outreach (mag-load ng 80 kg)	7,0 m	Max outreach (load 80 kg)
Max outreach (mag-load ng 230 kg)	5,4 m	Max outreach (load 230 kg)
Anggulo ng pag-ikot	+/-110°	Rotation angle
Laki ng basket	1,4 x 0,7 m	Basket size
Anggulo ng pag-ikot ng basket	+/- 70°	Basket rotation angle
Max kapasidad ng basket	230 kg	Max basket capacity
Haba sa stowed posisyon (na may detached basket)	3,8 (3,0) m	Length in stowed position (with detached basket)
Min lapad sa stowed posisyon	1,15 m	Min width in stowed position
Max na nagtatrabaho lapad	1,95 m	Max working width
Min taas sa stowed position	1,99 m	Min height in stowed position
Pag-level ng longitudinal	+/- 15°	Longitudinal leveling
Pag-level ng lateral	+/- 15°	Lateral leveling
Max kakayahang pang-grade	25°	Max gradeability
Max side kakayahang pang-grade	25°	Max side greadeability
Bilis ng drive (mabilis)	2,0 km/h	Drive speed (fast)
Bilis ng seguridad	0,3 km/h	Security speed

Mga Timbang

Weights

Pag-load ng trapiko	4,82 kN/m ²	Traffic load
Kabuuang timbang	3600 kg	Total weight

Lakas

Power

Humantong pack ng baterya ng acid 420Ah-48 V	DC 4 kW	Lead acid battery pack 420Ah-48V
--	---------	----------------------------------

Kagamitan kapag hiniling

Extras - On Demand

Hindi nagmamarka ng mga track	-	Non-marking tracks
Winch kit 200 kg	-	Winch kit 200 kg
Kontrol ng remote sa radyo	-	Radio remote control
Arctic pampadulas para sa malamig na klima	-	Arctic lubricant for cold climate



Mga compact na sukat Compact dimensions

Tinatanggal na basket

Removable basket

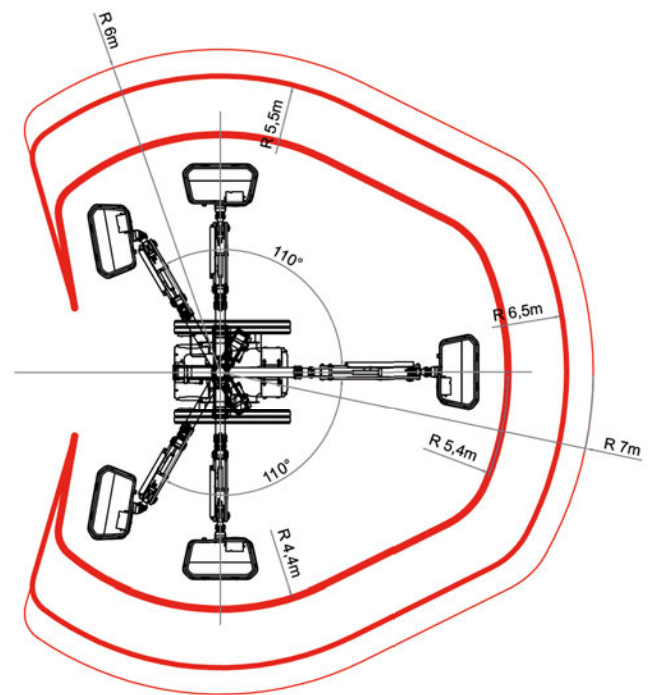
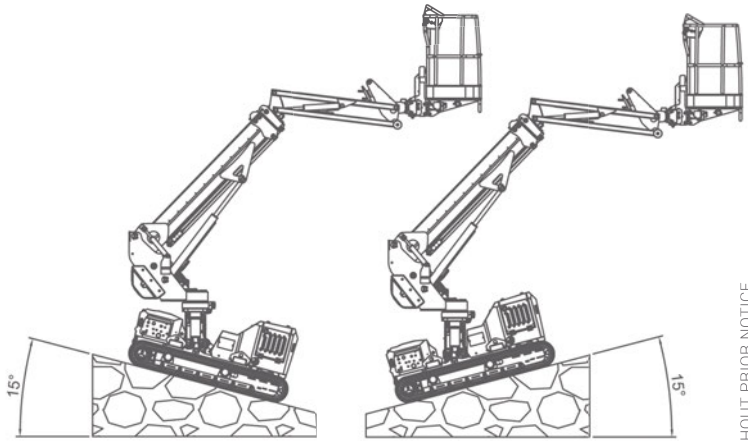
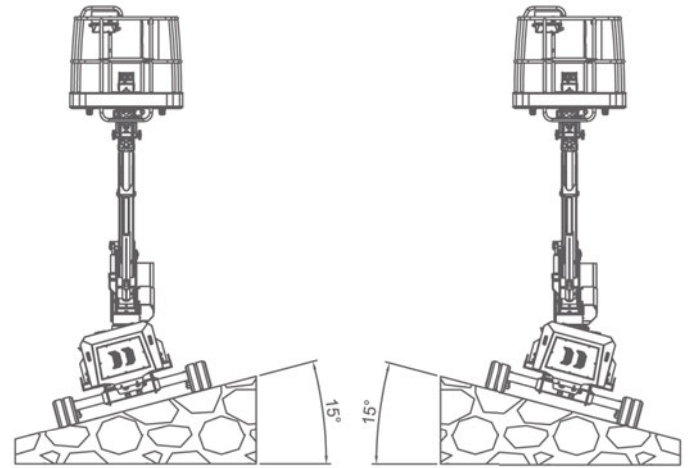
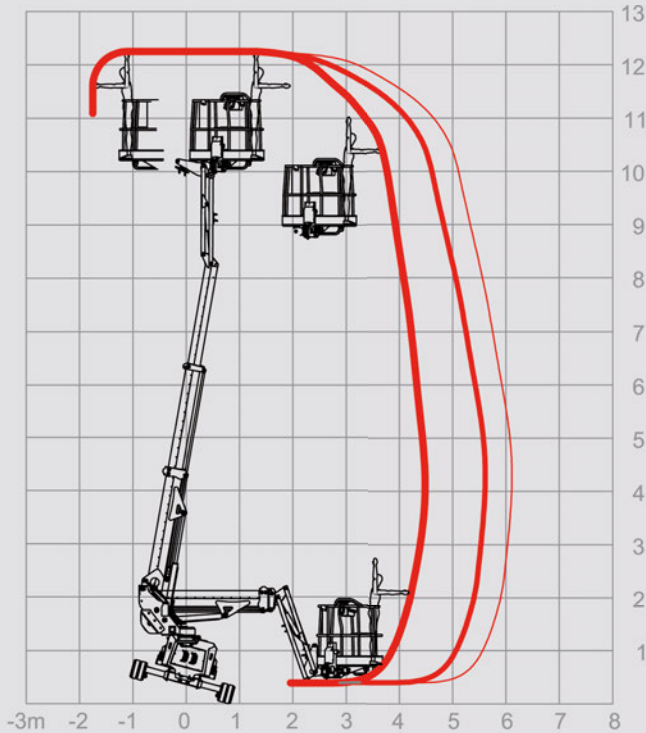
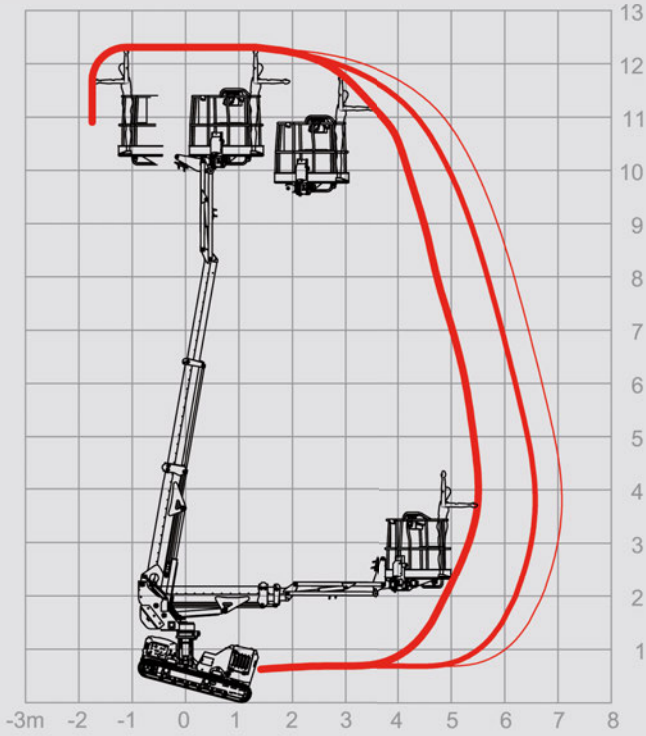


ALMACRAWLER

JIBBI 1250 ELC

12.2m	230kg	DC4kW	+/-15°	2.0 km/h	+/-15°
MAX. W.H.	CAPACITY	POWER	LONG. LEVEL.	SPEED	LATER. LEVEL.

- 80 kg
- 140 kg
- 230 kg



Via Caduti sul Lavoro 1
46019 Viadana (MN) - ITALY
+39 0375 83 35 27
info@almac-italia.com

MAYON MACHINERY RENTRADE, INC
3rd Floor P & J Building, Lot 32, Blk. 69 M. Roxas
Street, Corner Bayani Road AFPOVAI Phase 4, Fort
Bonifacio, Taguig City, Philippines
+ 63 (2) 8776 0254 | sales@mayonmachinery.com

ALMACRAWLER

ALL DATA REPORTED IN THIS CATALOGUE ARE NOT BINDING. ALMAC SRL RESERVES THE RIGHT TO CHANGE SPECIFICATIONS WITHOUT PRIOR NOTICE.