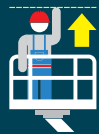




for Steel **28T**



28,50 m



26,50 m



17,30 m



140x70x110



400 Kg



∞



aluminium



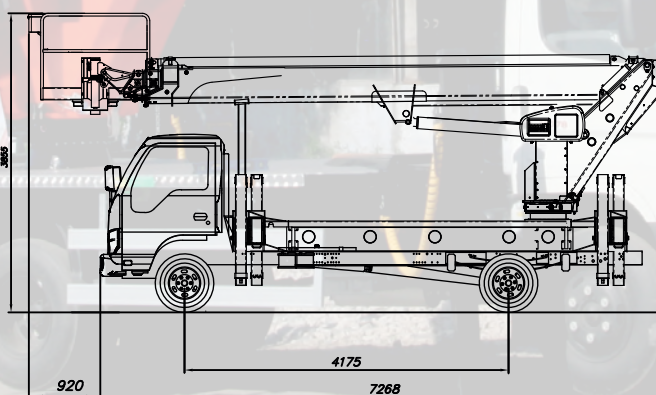
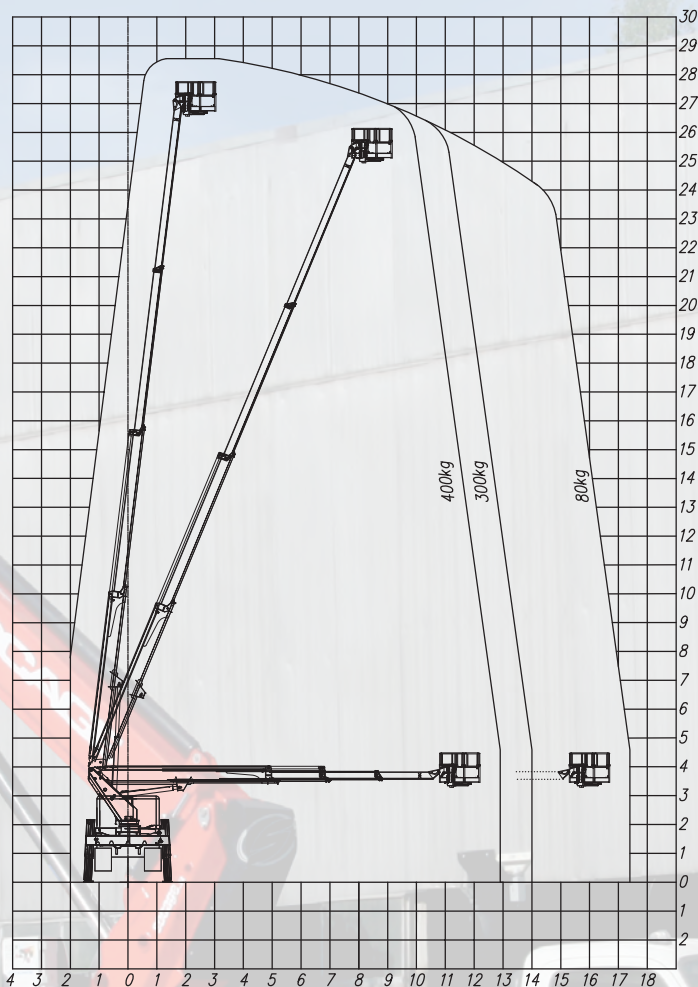
90°+90°



electro hydraulic



H+H



SOCAGE



for *Steel* **28T**

SOCAGE S.R.L.
Str. Statale 12, n° 10 - 41030 Sorbara di Bomporto (MO) - Italy
Tel. +39 059 9121211 - Fax +39 059 907304 - info@socage.it