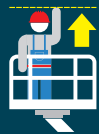




for Steel 22T



22,00 m



20,00 m



15,50 m



140x70x110



300 Kg



360°



aluminium



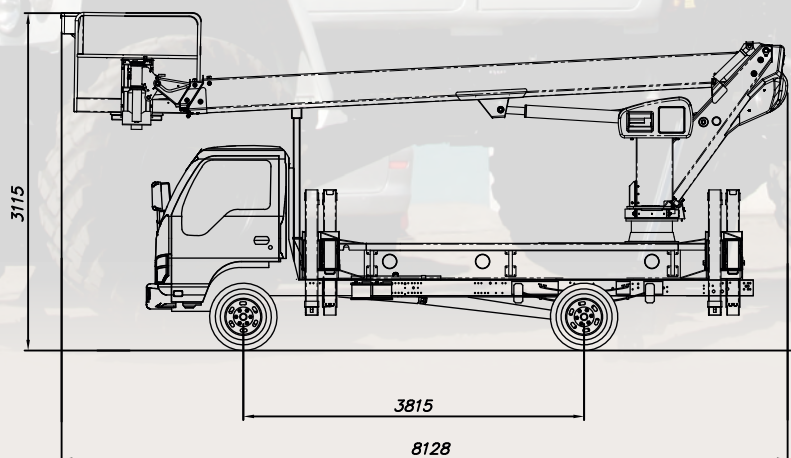
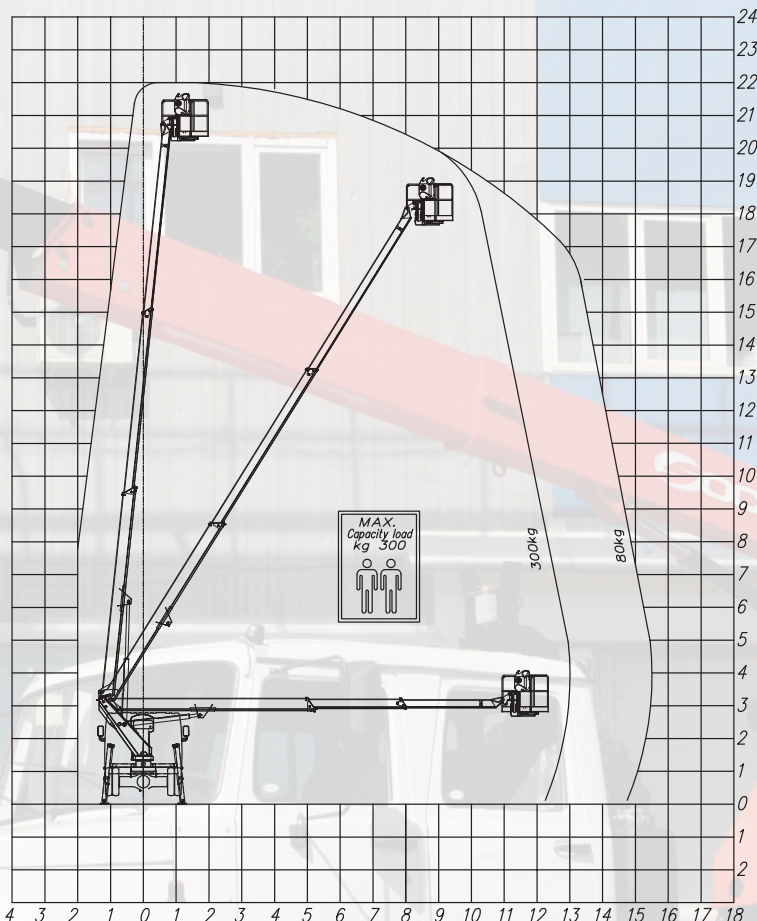
90°+90°



hydraulic



H+H



SOCAGE



for Steel **22T**

SOCAGE S.R.L.
Str. Statale 12, n° 10 - 41030 Sorbara di Bomporto (MO) - Italy
Tel. +39 059 9121211 - Fax +39 059 907304 - info@socage.it