

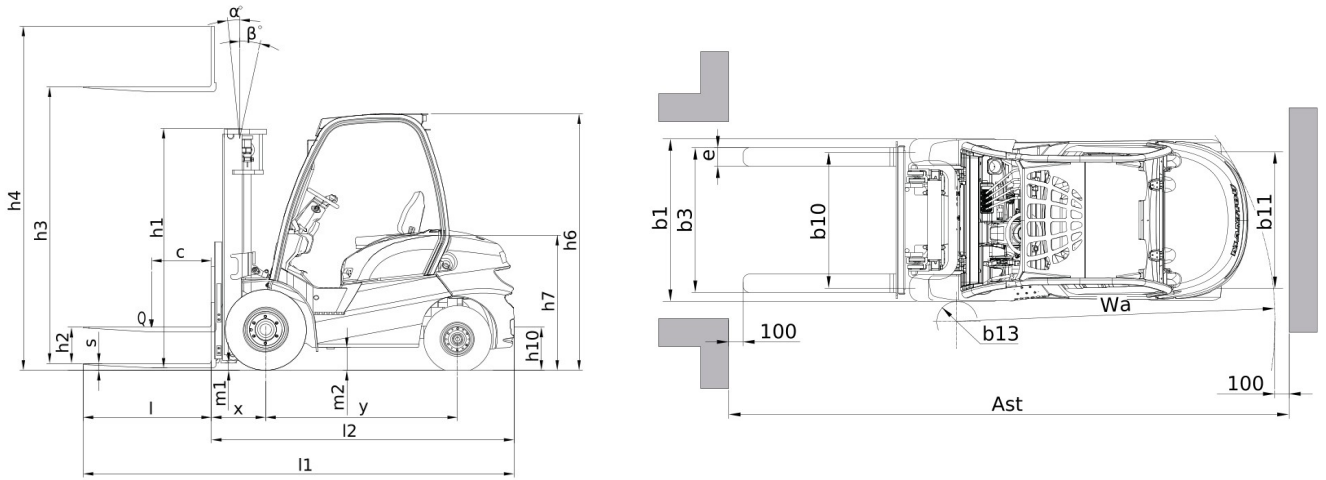
Technical sheet

MI 30 D

Masted Forklift Trucks



	Technical characteristics	Metric
1.1	Manufacturer	Manitou
1.2	Model	MI 30 D
1.3	Type of traction	Diesel
1.4	Type of operation	Seated
1.5	Q - Rated capacity	3000 kg
1.6	c - Center of gravity of load	500 mm
1.8	x - Distance from the load bearing surface to the centre of the front axle	480 mm
1.9	y - Wheelbase	1700 mm
	Weight	
2.1	Weight of truck in working order	4610 kg
2.2	Laden weight on front/rear axle	6650 kg / 960 kg
2.3	Unladen weight on front/rear axle	1860 kg / 2750 kg
	Wheels	
3.1	Tyre equipment: bandage (V), PPS (SE), inflatable tyre (L)	Solid cushion
3.5	Number of front wheels (x)	2x / 2
3.6	b10 - Front track	1.01 mm
3.7	b11 - Rear track	0.98 mm
	Dimensions	
4.1	α / β - Front/Rear mast angle	6 ° / 12 °
4.2	h1 - Height (mast lowered)	2200 mm
4.3	h2 - Free lift	150 mm
4.4	h3 - Lift height (Duplex mast)	3300 mm
4.5	h4 - Height of extended mast	3870 mm
4.7	h6 - Height of driver protection (cab)	2130 mm
4.8	h7 - Height of seat	1215 mm
4.12	h10 - Height of towing coupling	355 mm
4.19	l1 - Total length	3870 mm
4.20	l2 - Length to fork heel	2720 mm
4.21	b1 - Overall width - Single/twinned wheels	1230 mm / 1725 mm
4.22	e / s / l - Fork dimensions	1150 x 12 x 45
4.23	Fork carriage to DIN 15173 A/B	FEM 3A
4.24	b3 - Width of fork clamp	1100 mm
4.31	m1 - Ground clearance under mast	130 mm
4.33	Ast - Aisle width for 1000 x 1200 pallet widthwise	4140 mm
4.34	Ast - Aisle width for 800 x 1200 pallet lengthwise	4340 mm
4.35	Wa - Turning radius	2460 mm
4.36	b13 - Inner turning radius	160 mm
	Performances	
5.1	Speed of travel laden / unladen	18 km/h / 18.50 km/h
5.2	Lifting speed laden / unladen	0.45 m/s / 0.52 m/s
5.3	Lowering speed laden / unladen	0.43 m/s / 0.48 m/s
5.5	Nominal pulling force laden / unladen	1600 daN / 1380 daN
5.7	Maximum ramp laden / unladen	20 % / -
5.10	Service brake	Hydraulic
	Engine	
7.1	Engine manufacturer / Type	Yanmar / 3A
7.2	Useful power	35 kW
7.4	Number of pistons / Capacity	4 / 3054 cm ³
7.5	Fuel consumption according to VDI cycle	3.56 l/h
	Miscellaneous	
8.2	Working hydraulic pressure for attachments	160 bar
8.3	Oil flow rate for attachments	69 l/min
8.4	Measured/guaranteed mean noise level at the ear of the operator	84 dB(A)

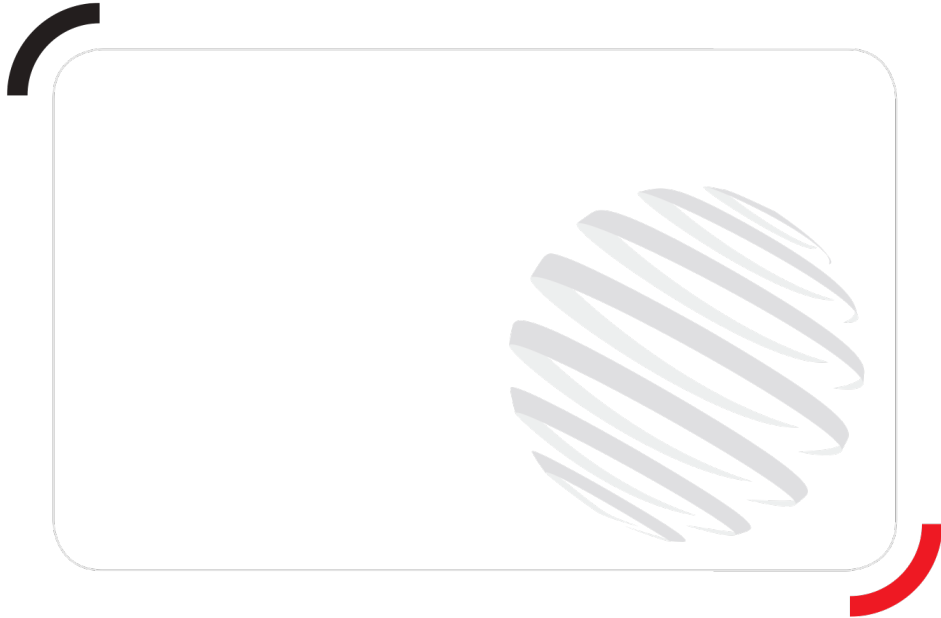


Characteristics of masts and residual capacities

Duplex Total Visibility		FVD 33	FVD 37	FVD 40
Lift height	mm	3300	3700	4000
Height (mast lowered)	mm	2200	2450	2650
Free lift	mm	145	145	145
Height of extended mast	mm	4035	4435	4735
Residual Capacity without attachment (Industrial load chart)	kg	3000	3000	3000
Residual Capacity with integrated side shift (Industrial load chart)	kg	3000	3000	3000
Forward/backward mast tilt angle	°	6 / 12	6 / 12	6 / 12

Duplex Free Lift		FLD 33	FLD 37	FLD 40
Lift height	mm	3300	3700	4000
Height (mast lowered)	mm	2230	2430	2580
Free lift	mm	1475	1675	1825
Height of extended mast	mm	4055	4455	4755
Residual Capacity without attachment (Industrial load chart)	kg	3000	3000	3000
Residual Capacity with integrated side shift (Industrial load chart)	kg	3000	3000	3000
Forward/backward mast tilt angle	°	6 / 12	6 / 12	6 / 12

Triplex Free Lift		FLT 43	FLT 45	FLT 47	FLT 48	FLT 50	FLT 55	FLT 60	FLT 65
Lift height	mm	4300	4500	4700	4800	5000	5500	6000	6500
Height (mast lowered)	mm	2115	2165	2215	2265	2315	2515	2765	2915
Free lift	mm	1360	1410	1460	1510	1560	1760	2010	2160
Height of extended mast	mm	5055	5305	5455	5555	5755	6255	6805	7255
Residual Capacity without attachment (Industrial load chart)	kg	2950	2900	2800	2800	2500	1850	1400	1300
Residual Capacity with integrated side shift (Industrial load chart)	kg	2850	2800	2700	2700	2400	1750	1300	1250
Forward/backward mast tilt angle	°	6 / 6	6 / 6	6 / 6	6 / 6	6 / 6	3 / 6	3 / 6	3 / 6



Siège Social
430 rue de l'Aubinière - 44150 Ancenis Cedex - France
Tel: +33(0)2 40 09 10 11 - Fax: +33 (0)2 40 09 10 97
www.manitou.com



This brochure describes versions and configuration options for Manitou products which may be fitted with different equipment. The equipment described in this brochure may be standard, optional or not available depending on version. Manitou reserves the right to change the specifications shown and described at any time and without prior warning. The manufacturer is not liable for the specifications given. For more information, contact your Manitou dealer. Non-contractual document. Product descriptions may differ from actual products. List of specifications is not comprehensive. The logos and visual identity of the company are the property of Manitou and may not be used without authorisation. All rights reserved. The photos and diagrams contained in this brochure are provided for information only.

MANITOU BF SA - Limited company with board of directors - Share capital: 39,547,824 euros - 857 802 508 RCS Nantes